

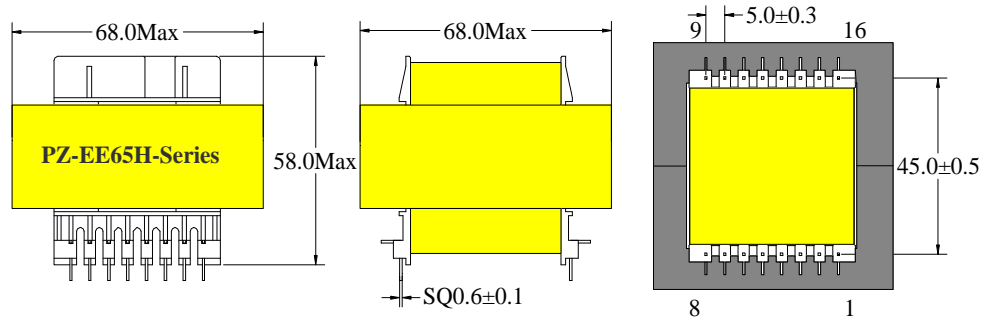


## High-frequency transformer EE65 Series

### Mechanical Dimensions EE65 TYPE1

**Information:**

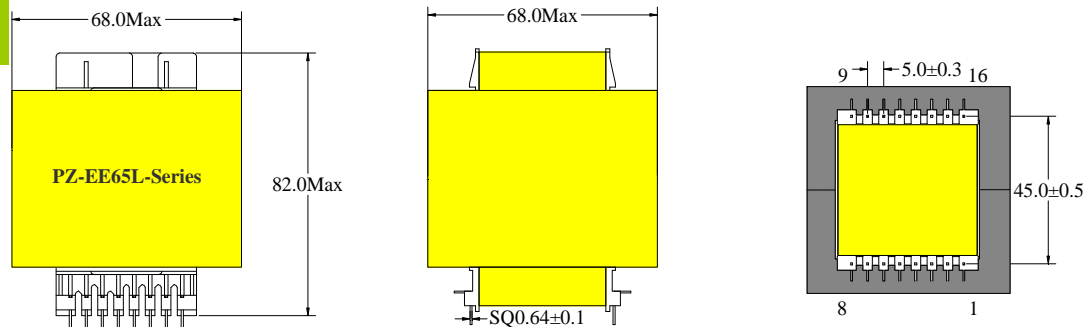
- Shape:EE65
- 1 Power:900~1250W
- 2 Mounting Orientation:Horizonta
- 3 Size: 68 (W) \* 68 (L) \* 58 (H)
- 4 Effective Ae (mm<sup>2</sup>): 393.0~535.0



### EE65 TYPE1

**Information:**

- Shape:EE65
- 1 Power:900~1250W
- 2 Mounting Orientation:Horizonta
- 3 Size: 68 (W) \* 68 (L) \* 82 (H)
- 4 Effective Ae (mm<sup>2</sup>): 393.0~535.0



### Note:

Bobbin type listed in the traditional style, transformer design parameters to customer needs or to inject prevail.

### EE series of high-frequency transformer features:

Lead space, easy winding wiring. For a wide range of high frequency, wide operating voltage range, output power, good thermal stability

### Uses:

Widely used in PBX power, LCD power supply, power inverter UPS power supply, computer power supply, energy saving lamps, and other fields.